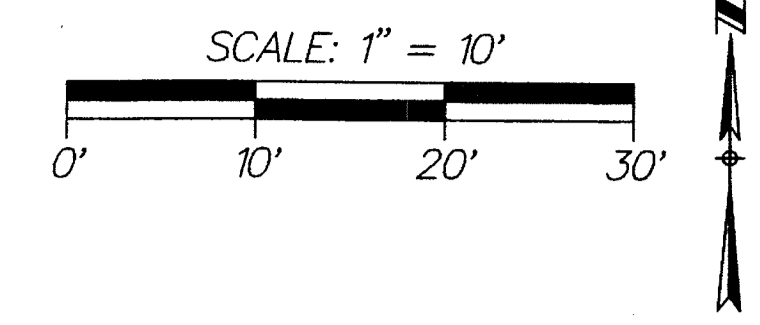


VILLAS SOBRE DEL MAR

BEING A REPLAT OF A PORTION OF LOT 11, BLOCK 1, OSCEOLA PARK, PLAT BOOK 3, PAGE 2 (P.B.C.P.R.) BEING IN SECTION 16, TOWNSHIP 46 SOUTH, RANGE 43 EAST, CITY OF DELRAY BEACH, PALM BEACH COUNTY, FLORIDA.

AUGUST 2012
SHEET 3 OF 4

THIS INSTRUMENT WAS PREPARED BY PAUL D. ENGLE, IN THE OFFICE OF O'BRIEN, SLATER & O'BRIEN, INC., 955 N.W. 17TH AVENUE, SUITE K1, DELRAY BEACH, FLORIDA 33445 (561) 276-4501



48

COUNTY OF PALM BEACH
STATE OF FLORIDA

THIS PLAT WAS FILED FOR RECORD AT _____
THIS _____ DAY OF _____
2012 AND DULY RECORDED IN PLAT BOOK NO. _____
ON PAGE _____
SHARON R. BOCK, CLERK AND COMPTROLLER
BY _____ D.C.

